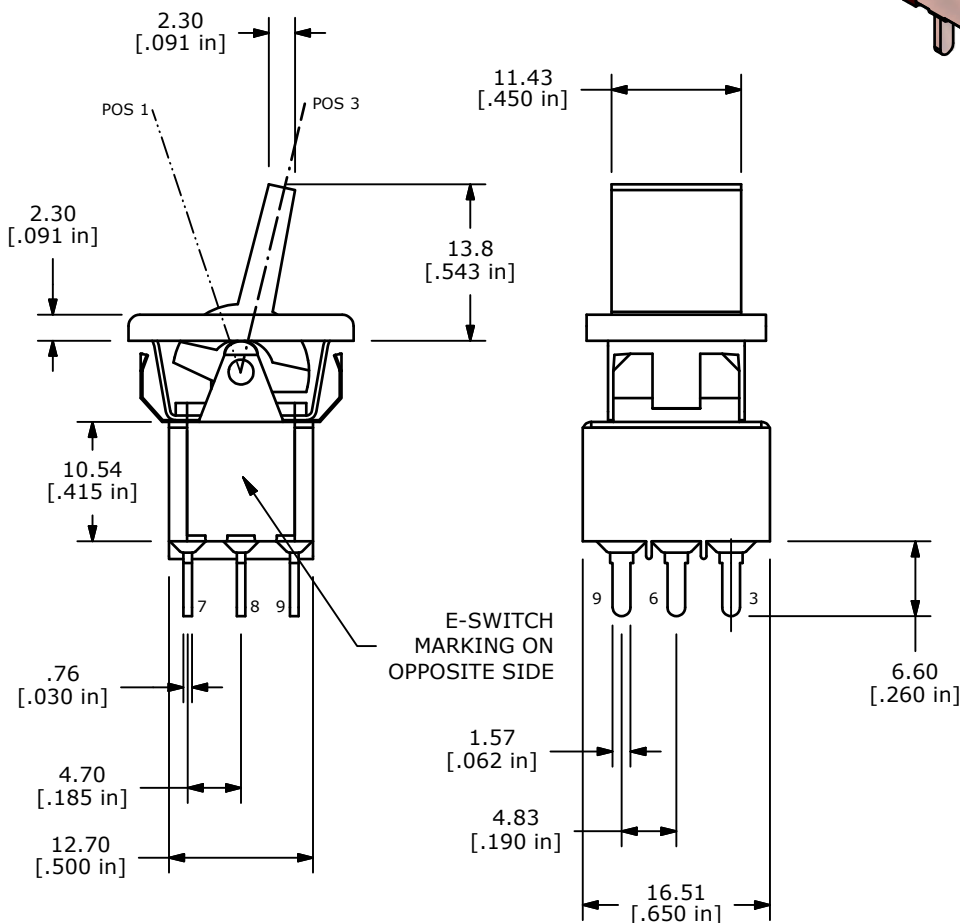
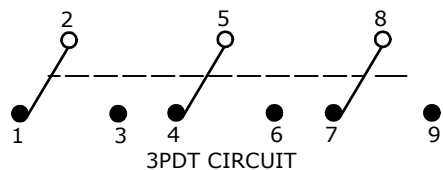


SWITCH FUNCTION		
POS. 1	POS. 2	POS. 3
ON	NONE	ON
2-3,5-6,8-9	N/A	2-1,5-4,8-7



- NOTE:
- ALL DIMENSIONS IN MM [INCH]
 - GENERAL TOLERANCE: X.X=±0.4
X.XX=±0.25
 - TERMINAL NUMBERS FOR REF ONLY
 - PLATING MATERIAL: SILVER
 - ▲ 5. RATING: 5A @ 120VAC OR 28VDC;
2A @ 250VAC
 - ELECTRIC LIFE: 40,000 MAKE-AND-BREAK CYCLES AT FULL LOAD.
 - INSULATION RESISTANCE: 1,000 MEGA-OHM MIN.
 - CONTACT RESISTANCE: 100mA
 - DIELECTRIC STRENGTH: 1,000 V RMS @SEA LEVEL.
 - OPERATING TEMP.: -30°C to 85°C
 - 2002/95/EC (ROHS) COMPLIANT
 - ▲ DENOTES CRITICAL PARAMETER.



A	21786	RELEASED FOR PRODUCTION	2/25/15	rc
REV	PCR NO	DESCRIPTION	DATE	BY

TITLE 3003P1R7BLKM3QEBLK				
SCALE 2:1	DATE 2/25/2015	DR rc	DWG T311013	REV A

THE INFORMATION CONTAINED IN THIS DOCUMENT IS PROPRIETARY TO E-SWITCH AND IS NOT TO BE COPIED OR TRANSFERRED